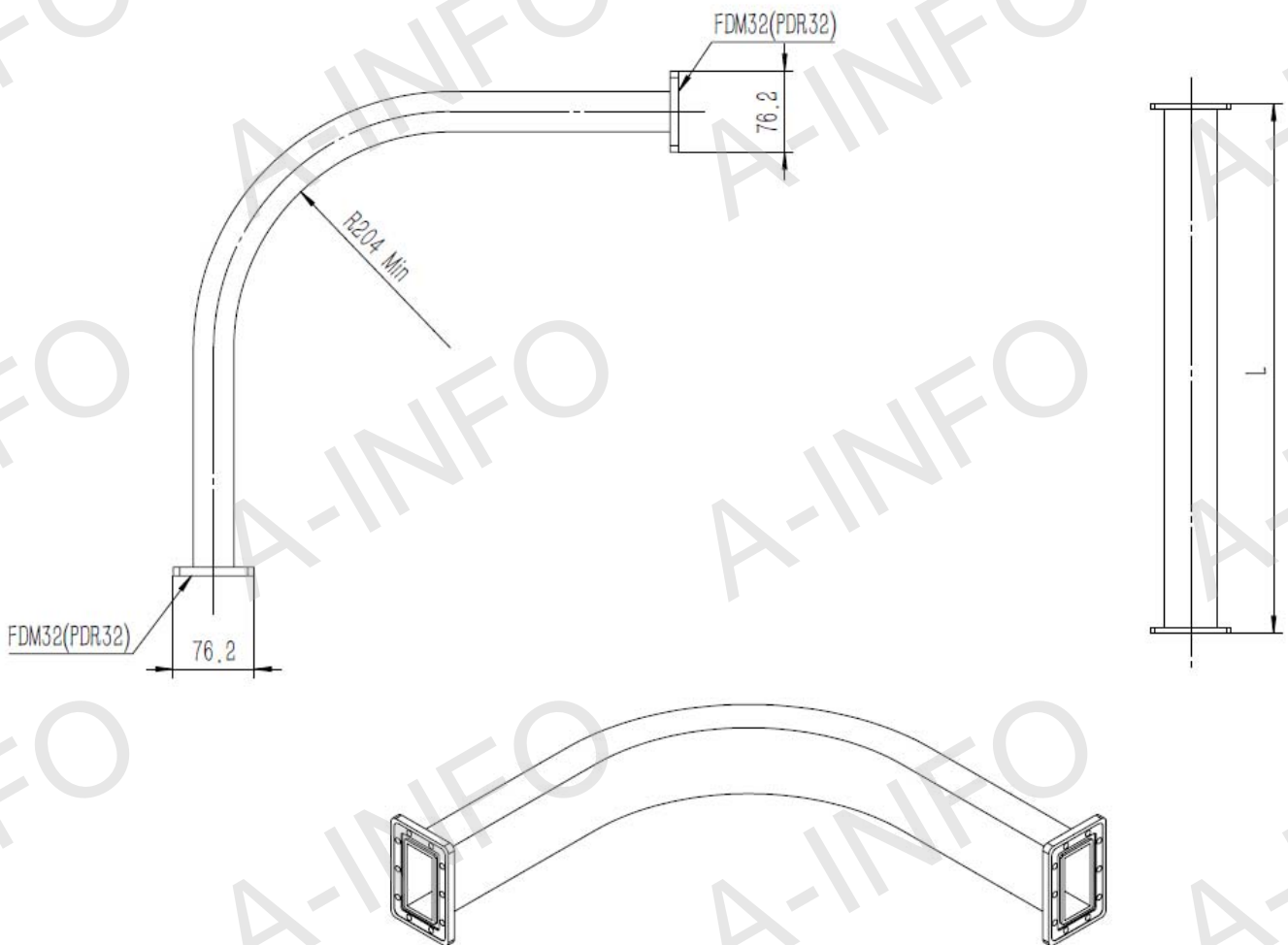


Technical Specification



EIA WR	WR284
Frequency Range(GHz)	2.60 - 3.95
Attenuation(dB/m)	0.16
VSWR	1.15:1 Max.
Average Power(KW)	10
Max. Air Pressure(Mpa)	0.2
Min. E-Bend Radius(mm)	204
Min. H-Bend Radius(mm)	408
Flange	FDM32(PDR32)
Material	Cu
Jacket	Silicone Rubber
Operating Temp.(°C)	-55 ~+85
Length(mm)	750
Net Weight(Kg)	2.35 Around

Outline Drawing (Size: mm)



AINFO Inc.

Page 1 of 3

China(Beijing):
China(Chengdu):
USA :

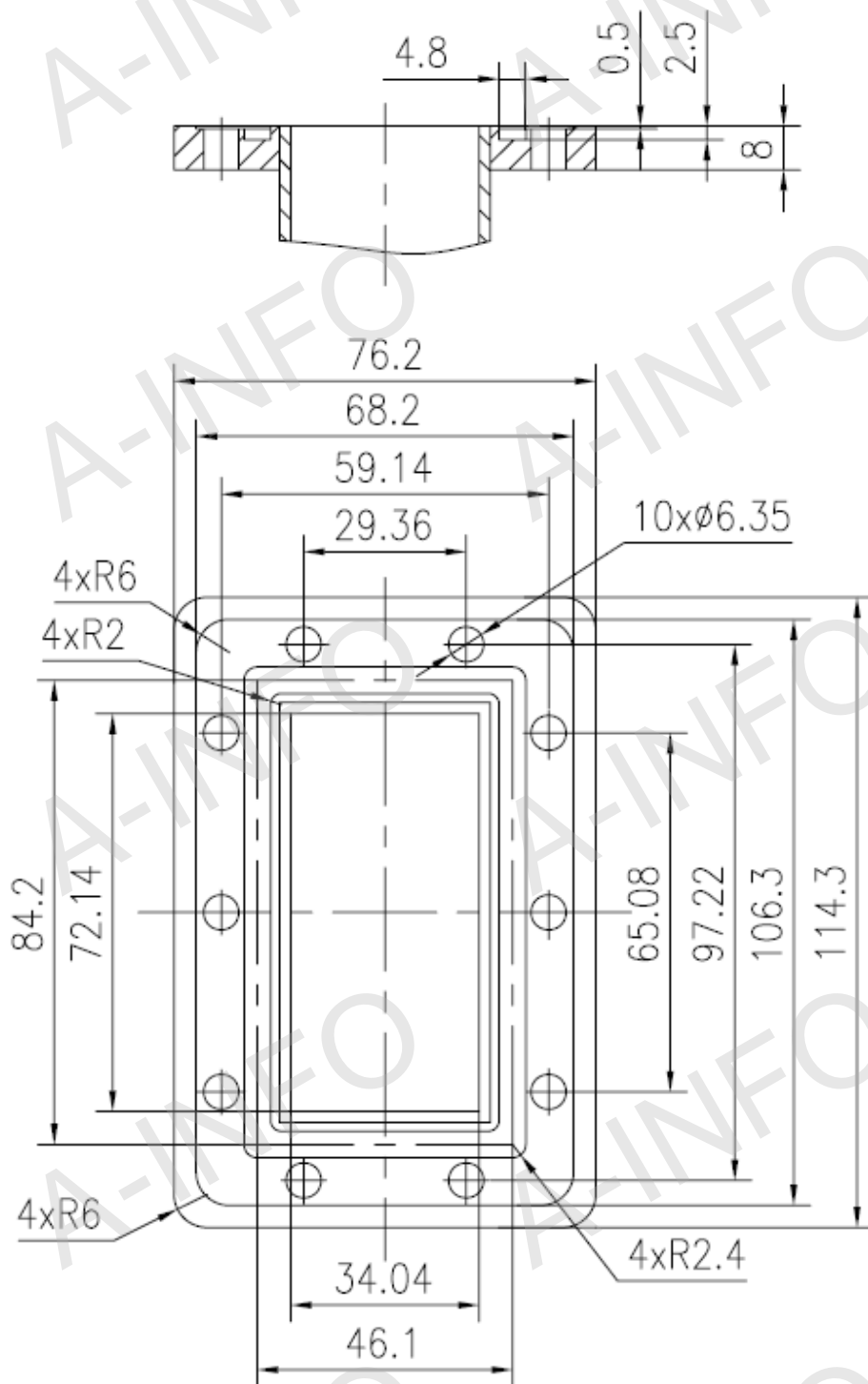
Tel: (+86) 10-6266-7326,
Tel: (+86) 28-8519-2786,
Tel: (+1) 949-639-9688,

(+86) 10-6266-7327
(+86) 28-8519-3044
(+1) 949-639-9608

Fax: (+86) 10-6266-7379
Fax: (+86) 28-8519-3068
Fax: (+1) 949-639-9670

Website: www.ainfoinc.com
Email: sales@ainfoinc.com

Flange Drawing (Size: mm)



FDM32

AINFO Inc.

Page 2 of 3

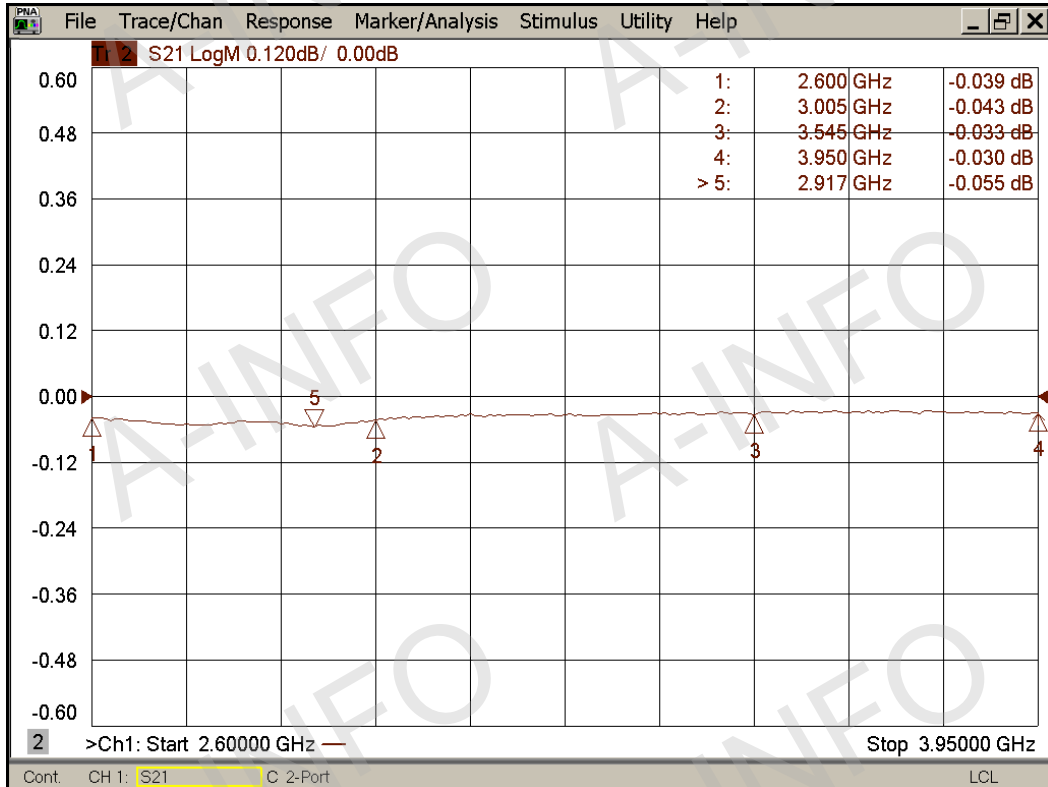
China(Beijing): Tel: (+86) 10-6266-7326,
China(Chengdu): Tel: (+86) 28-8519-2786,
USA: Tel: (+1) 949-639-9688,

(+86) 10-6266-7327 Fax: (+86) 10-6266-7379
(+86) 28-8519-3044 Fax: (+86) 28-8519-3068
(+1) 949-639-9608 Fax: (+1) 949-639-9670

Website: www.ainfoinc.com
Email: sales@ainfoinc.com

Test Results

Attenuation (I.L. @750mm)



VSWR

